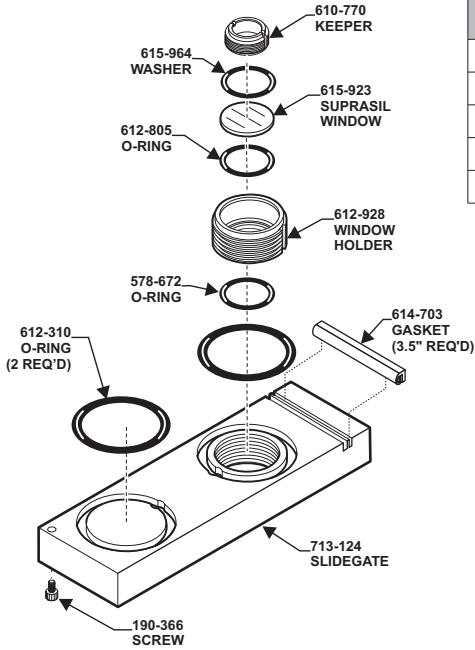


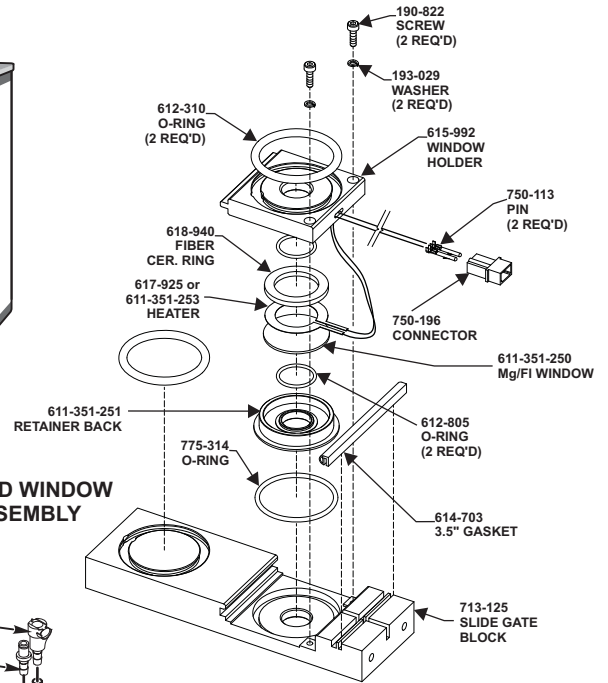
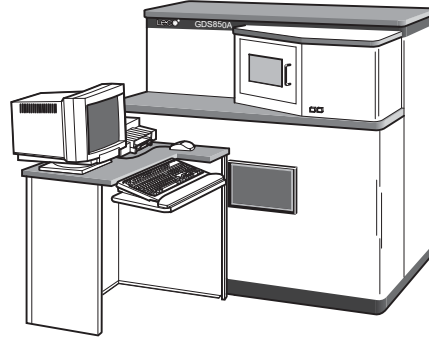
Note: Part numbers and standards' values may change. Consult LECO for the latest information.

Lamp	Size	Cathode	Anode	Sleeve	O-Ring "A"	O-Ring "B"	Inner Spacer	RF Lamp Base
DC	2 mm*	618-389	618-386	618-385	609-114	618-382	618-297	N/A
DC	2 mm	616-999	612-823	607-399	607-315	534-356	618-296	N/A
DC	4 mm	616-999	612-815	607-399	607-315	534-356	618-296	N/A
RF	2 mm	N/A	612-860	607-399	607-315	534-356	N/A	612-857
RF	4 mm	N/A	612-859	607-399	607-315	534-356	N/A	612-857

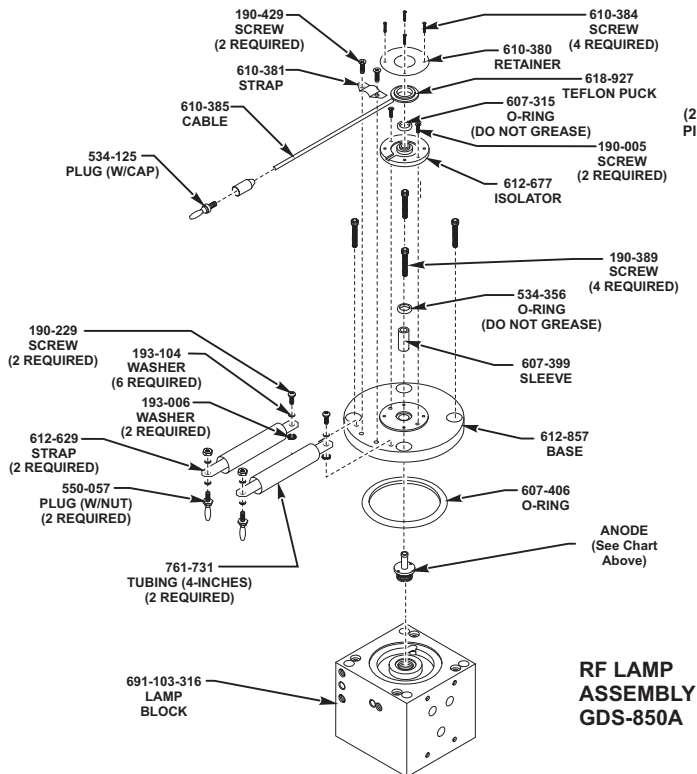
\*Small Anode Sample



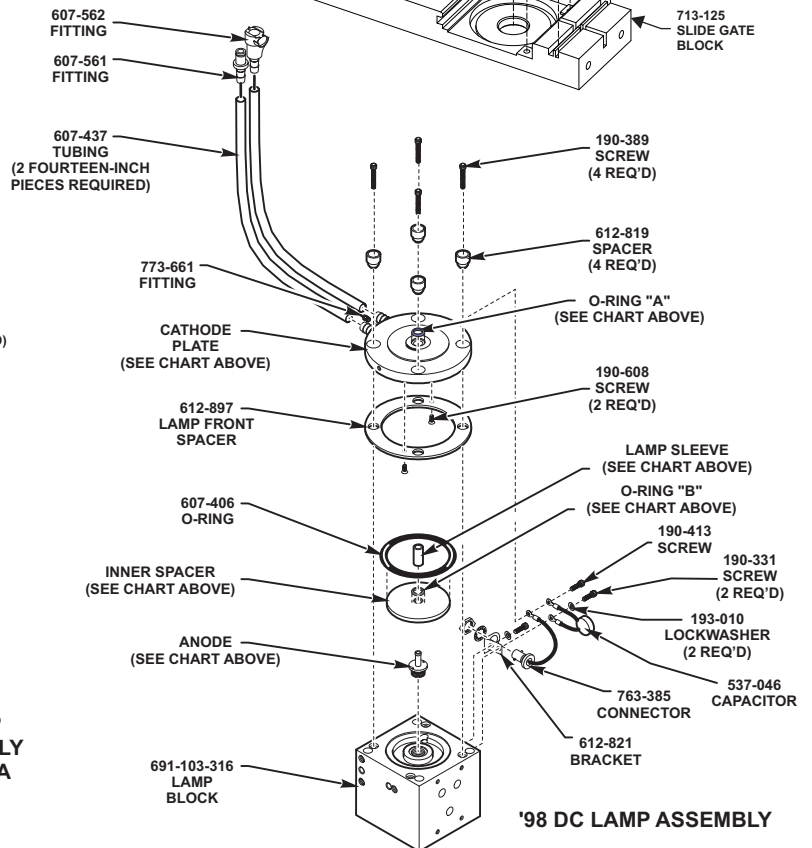
713-121 SLIDE WINDOW ASSEMBLY



611-351-254 HEATED WINDOW SLIDE GATE ASSEMBLY



RF LAMP ASSEMBLY GDS-850A



'98 DC LAMP ASSEMBLY

See reverse side for contact information

## CONSUMABLES

502-234-HAZ Alcohol  
502-237 Foam Wipes  
534-356 Inner Sleeve O-ring (red)  
607-302 Mist Oil Filter  
607-303 Mist Odor Filter  
621-339 Reamer Bit Assembly 4 mm  
607-406 Ceramic Spacer O-ring (red)  
607-623 Inner Lens Assembly O-ring  
779-377 Vacuum Pump Oil (400 ml)  
502-629 Lens Cleaning Tissue  
612-509 Fomblin Grease  
203-913 Printer Paper, 5000 sheets  
619-572 Drill Bit, 4 mm (soft metals)  
615-923 Suprasil Window (*For wavelengths >165 nm*)  
611-351-192 Mg/FI Window; '98 non-heated  
(*wavelength < 165 nm*)  
611-351-250 Mg/FI Window, heated  
502-396 Fluid Cooling Sample RF, 1 gallon

## SPARES

615-961 Suprasil Window Insert Assembly, includes  
(1) 610-770 Keeper, (1) 615-964 Washer,  
(1) 615-923 Window, (1) 612-805 O-ring,  
(1) 612-928 Holder  
*NOTE: (For wavelengths  $\geq 165$  nm)*

## SLIDE WINDOW ASSEMBLY

612-928 Window Holder  
612-805 O-ring  
615-964 Teflon Washer  
610-770 Keeper  
578-672 O-ring Slidegate  
615-923 Suprasil Window

## TOOLS

617-274 Anode Alignment Tool/Sleeve Removal  
612-399 Anode Depth Micrometer  
612-799 Sleeve Removal Tool  
612-811 Assy. Tool Window Holder

## OPTIONS

612-933 Reamer - Soft Materials (4 mm Source)  
619-580-107 Sample Holder, 3 mm, Wire  
612-798 Sample Holder, 13 mm, Briquettes  
612-774 Sample Holder, Porous Samples  
612-775 Sample Holder, TRS Bar Holder  
607-769 Reamer Assembly, 2 mm  
618-384 Reamer Assembly, 2 mm Small  
618-391 2 mm Lamp Small (6 mm O-ring) Kit  
618-927 Puck 3 RF  
259-002UPGR Software Upgrade GDS850

## '98 LAMP

607-315 Outer Sleeve O-ring, blue  
534-356 Inner Ring O-ring, red  
618-296 Inner Spacer  
618-297 Inner Spacer, 2 mm Small  
607-406 Ceramic O-ring  
607-399 Sleeve, 4 mm  
612-815 Anode, 4 mm  
612-823 Anode, 2 mm  
612-819 Spacer  
190-389 Screw (lamp bolt)

## RF LAMP

702-069 Retainer Insert  
702-070 RF Anode Retainer  
702-071 Insert Anode, RF, 2 mm Boron  
702-072 Insert Anode, RF, 4 mm Boron  
612-860 RF Anode, 2 mm  
612-857 RF Anode, 4 mm

## KITS

612-879 4 mm '98 Lamp Rebuild Kit (DC Lamp)  
612-891 4 mm '98 Lamp Rebuild Kit (RF Lamp)  
702-071-110 2 mm '98 Non-conductive Anode Kit  
702-072-110 4 mm '98 Non-conductive Anode Kit

*NOTE: Part numbers may change.  
Consult LECO for latest information.*